

LOWRY

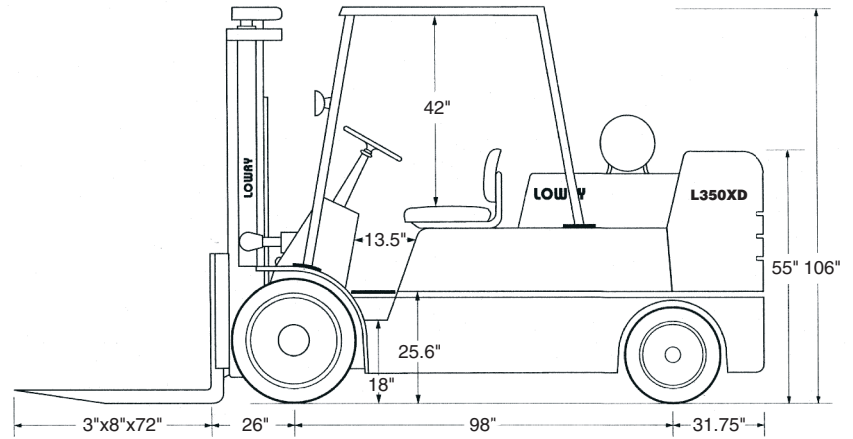
INDUSTRIAL LIFT TRUCKS



XD

Series

- An industry exclusive: at only 56" wide the L350XD is the most maneuverable, shortest turning model available in this capacity range.
- Strongest "Super Clear View" mast and carriage assemblies available in a variety of two and three stage configurations to suit your application.
- Massive Rockwell 75,000 lb. rated Planetary Drive axle.
- Oil cooled, sealed, remote cooled, triple wet disc brakes guaranteed for three years or 3,000 hours!
- Dana extreme duty rated 32,000 series, electronic auto shift three speed transmission.
- Dana "APC" electronic speed and transmission shift controllers prevents operators from exceeding preprogrammed safe speed and safe transmission shift parameters.
- GM 5.7 liter Vortec V8 propane engine
or . . .
- EPA Tier Two certified, clean burn, certified low emission, Cummins 4.5 turbo diesel.
- Thermal Systems "Bar and Plate" cooling technology provides optimal cooling for extreme duty applications.



L350XD EXTREME DUTY SERIES

35,000. LBS. BASE CAPACITY @ 24" LOAD CENTER

1	Model	LOWRY Extreme-duty Rated Series	L350XD
2	Capacity	Rated Capacity	lb / kg 35,000 / 15,876
3	Load Center	At (Distance)	in / mm 24 / 609
4	Power Type	Standard LPG (Optional Turbo Diesel)	Propane
5	Tire Type	Solid Cushion - Drive / Steer	Poly / Poly
6	Standard Mast	Standard Max. Lift (Raised Fork Height)	in / mm 90 / 2,286
7	Lowry	Lowered Mast Height	in / mm 106 / 2,692
8	"Super Clear View"	Standard Free Lift	in / mm 0 / 0
	Two Stage	<i>Note: Other mast options are available</i>	<i>Call for Info</i>
9	Forks	Length, Thickness, Width	in 72x3.25x8
	Shaft Style		mm 1829x82.5x203.2
10	Overall	Length to Face of Forks	in / mm 155.75 / 3,956
11	Dimensions	Width	in / mm 56 / 1,420
12	Turning Radius	Minimum - (approx.)	in / mm 138 / 3,505
13	Load Distance	Center of Drive Wheel to Face of Forks	in / mm 26 / 660

PERFORMANCE

14	Stability	Comply with ANSI?	Yes
15	Speeds	Maximum Forward Travel Speed - No Load	MPH 8

UNIT WEIGHT

16	Total approx wt	Standard Lift Truck	lb / kg 40,000 / 18,144
----	-----------------	---------------------	-------------------------

WHEELS / TIRES

17	Tires	Size Front	28 x16x22
18		Size Rear	22x8x16
19	Wheel Base	Distance	in / mm 98 / 2,489
20	Ground Clearance	Under Counterweight - No Load	in / mm 8 / 203
21		At Center of Wheelbase - No Load	in / mm 7 / 178
22	Brakes	Service - Type	Hydraulic triple disc
23		Parking - Method of Operation	Hand lever shoe

POWER UNIT / TRANSMISSION / DRIVE AXLE

24	Battery	Voltage / Amp-Hours	12 volts / 625
25	Internal	Make / Model	GM Vortec V8
26	Combustion	Output Intermittent per SAE Standards	HP 140
27	Engine	Governed Speed	RPM 2800
28		No. of Cylinders / Displacement	cm3 V8 / 5.7 L
29	Engine Option	Cummins Low Emission Turbocharged Diesel	4.5 L
30	Transmission	Dana 32,000 Series Powershift - Fully Automatic	Electronic-Auto
31	Speeds	Forward / Reverse - Lockable "Bull Low"	3 / 3
32	Controller	APC Electronic Transmission Shift and Speed Controller	Yes
33	Drive Axle	Rockwell Extreme-duty Rated Planetary	Yes

Specifications subject to change without notice.

Copyright EYEJAZZ Media - 2004 / CS350XD Printed in USA